



Organizzazione con Sistema  
di Gestione certificato  
Company with Management  
System certified

ISO 9001:2000

**SINCERT**



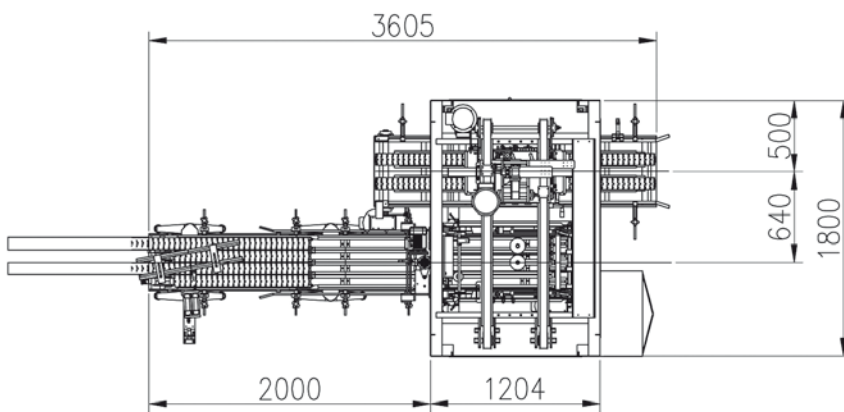
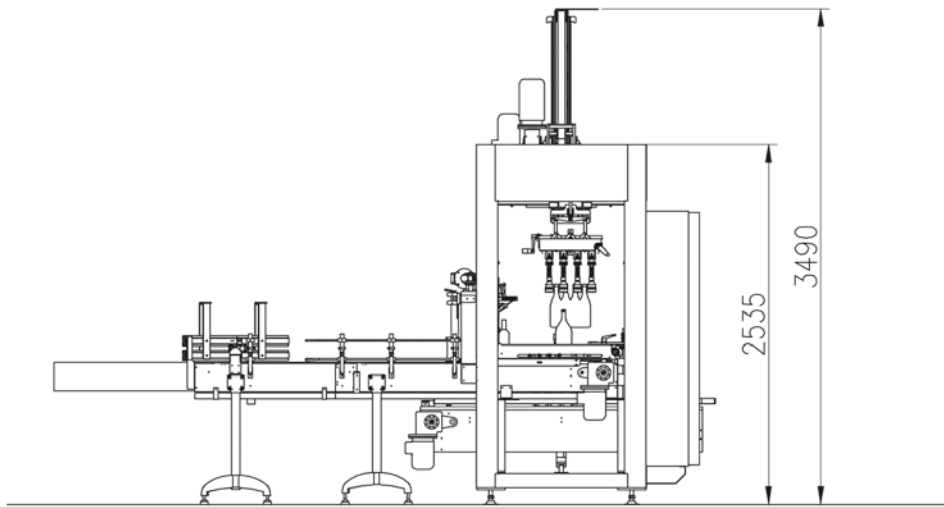
## CASE PACKING

---

# AZ 39

Automatic carton packer suitable to pre-arrange, on multiple rows, products of different shape and dimension, and insert them vertically inside an RSC carton. Extreme flexibility and adaptability to different sectors

# AZ 39



Erected carton dimension	min	max
Length	200 mm.	600 mm.
Width	150 mm.	400 mm.
Height	150 mm.	400 mm.

Production	up to 8-10 cartons/min in relation to product type
------------	--

Installed power	5 KW
-----------------	------

Air consumption	180 NL/min
-----------------	------------