

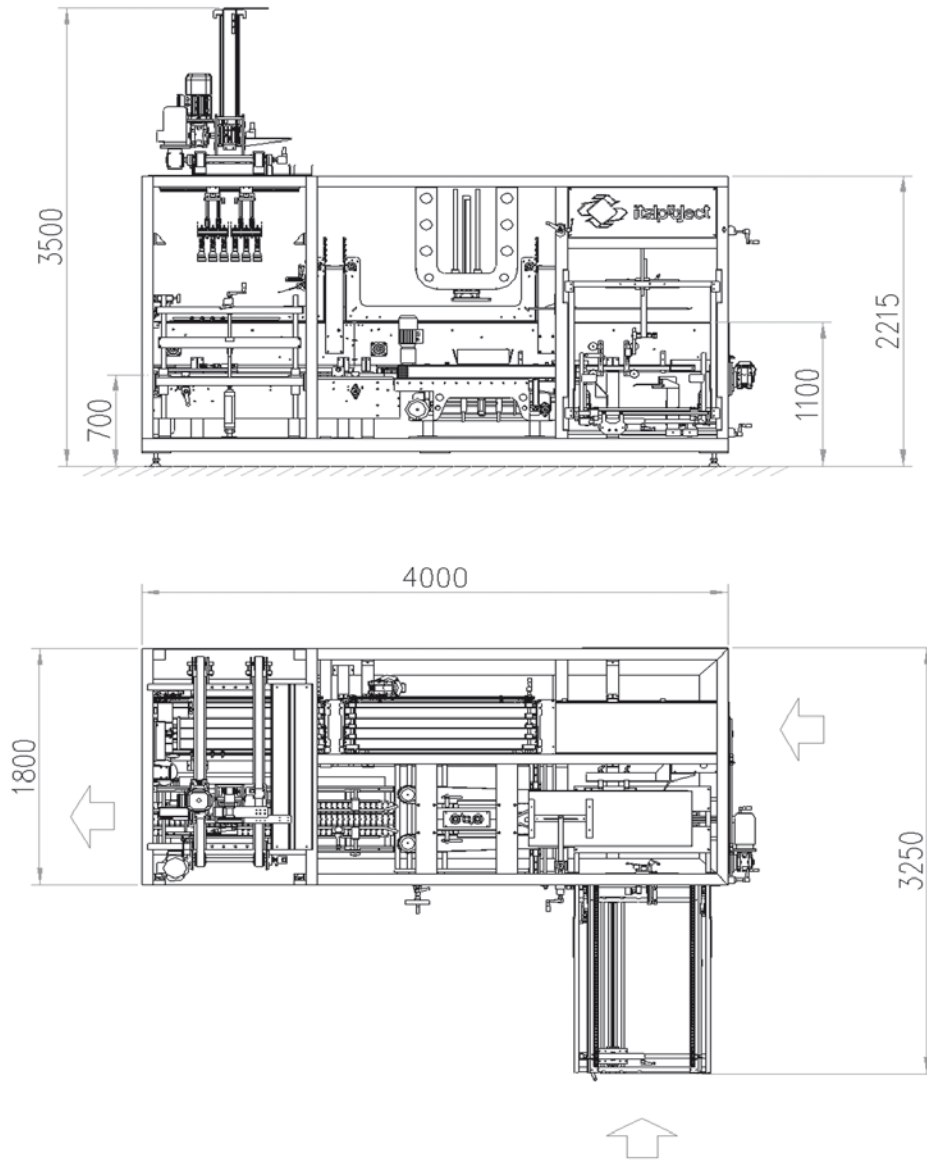


CASE PACKING

MIF 78/20

MIF 78/20 is an automatic carton packer machine, is suitable for pre-forming on multiple lines products of different sizes and shapes, and for vertical product insertion into RSC cartons by means of pick-up head. It's an extremely reliable and versatile machine, a perfect response to the needs of the market.

MIF 78/20



Erected carton dimension	min	max
Length	200 mm.	400 mm.
Width	150 mm.	350 mm.
Height	150 mm.	400 mm.

Production	up to 900/1200 cartons/hour in relation to cartons formats and product type
------------	---

Installed power	12 KW
-----------------	-------

Air consumption	480 NL/min
-----------------	------------