



Organizzazione con Sistema di Gestione certificato
Company with Management System certified
ISO 9001:2008

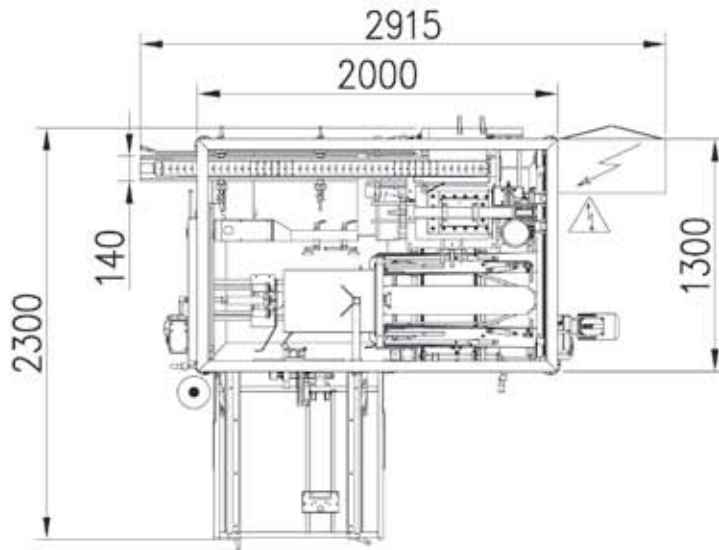
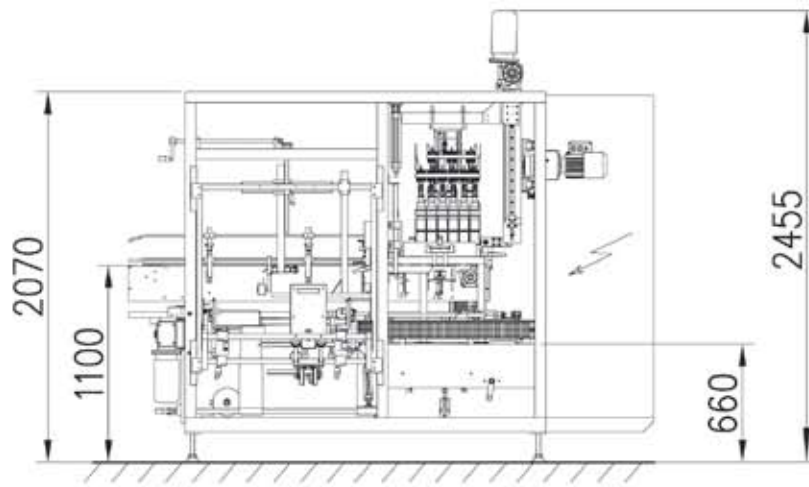


CASE PACKING

MINIPACK

Small, compact and fast monoblock carton former/packer that can be positioned in a limited space due to its small footprint and which can be used with a range of products. It works with two mechanical cartesian axis and offers the maximum level of flexibility due it's straightforward and easy to adjust format change-over.

MINIPACK



MINIPACK

- Standard magazine capacity: 90 cartons (with thickness 4mm)
- Carton opening by contrast
- Carton sealing by hot-melt glue and/or adhesive tape
- Axis movement: mechanical
- Power consumption: (variable) 6 Kw Air consumption: 120NI/min (variable)
- Production up to 6-10 cartons/minute