

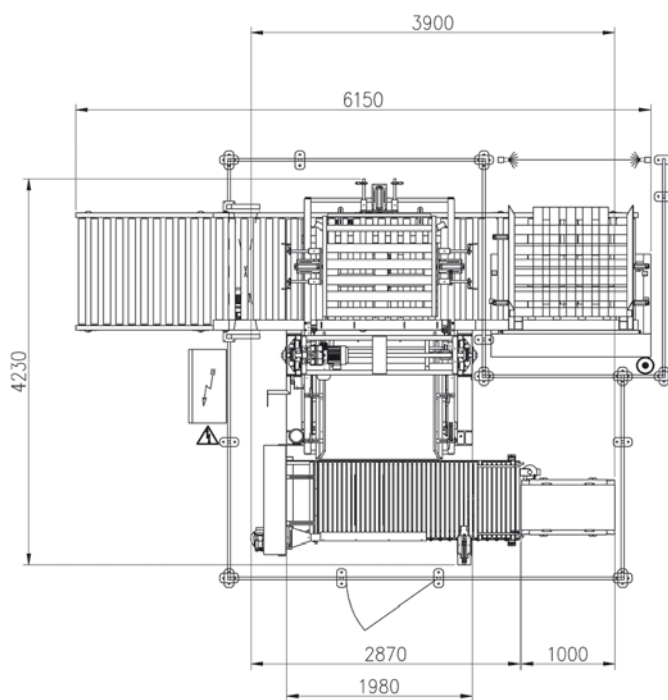
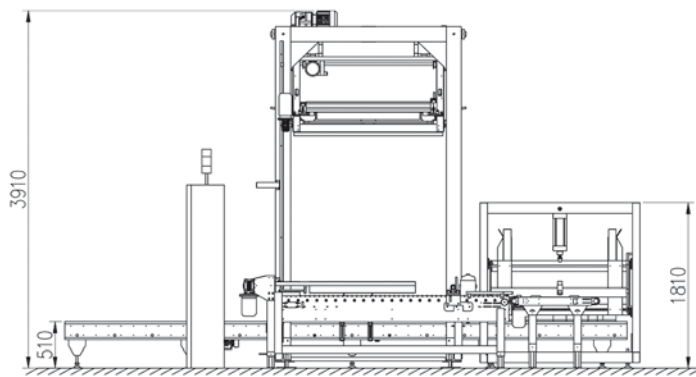


PALLETISING

MINIPAL

Automatic sweep layer palletiser for cartons or shrink-packs with a high production rate, easy use and minimal floor space. Layer payload up to 150kg.

MINIPAL



Production	2-4 layers/min depending on product type
Max payload	150 Kg.
Installed power	6 KW
Air consumption	150 NL/min